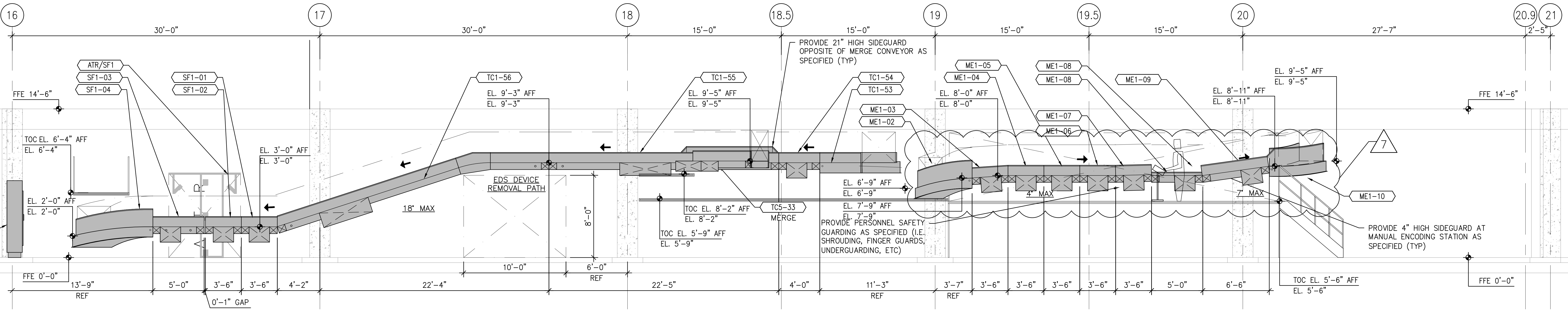
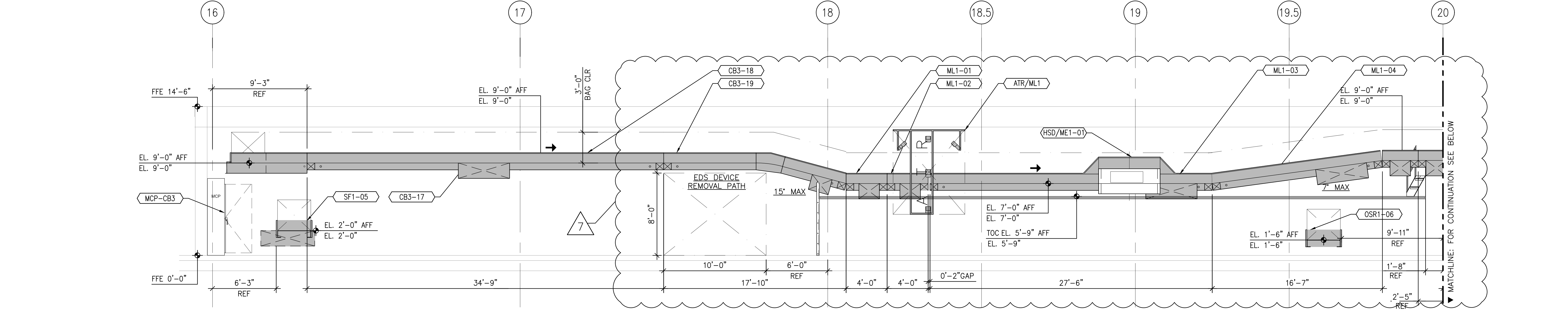


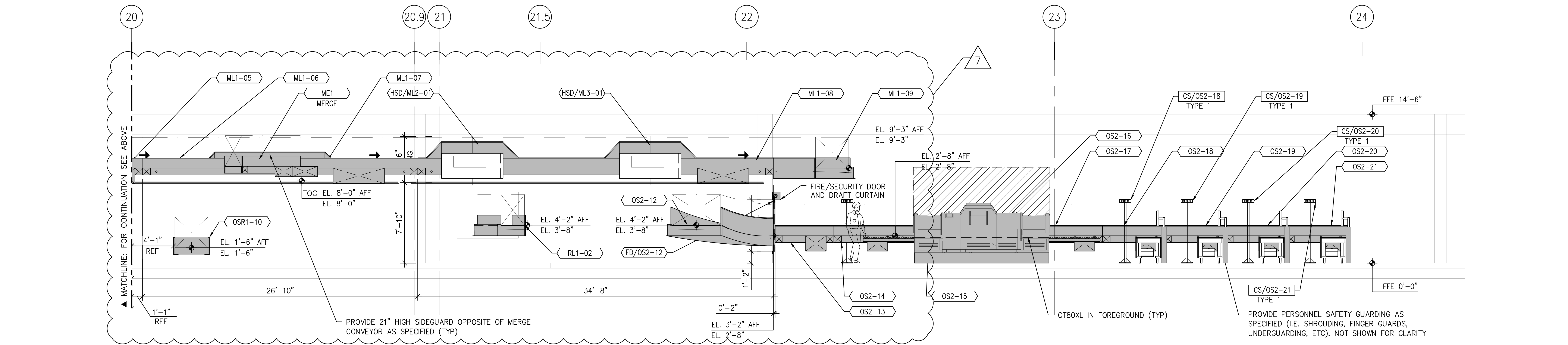
NO.	DATE	DESCRIPTION
1	11/11/2016	30% CONSTRUCTION DOCUMENTS
2	01/23/2017	70% CONSTRUCTION DOCUMENTS
3	03/22/2017	100% CONSTRUCTION DOCUMENTS
4	06/02/2017	100% TSA RESPONSE AND CONSTRUCTION DOCUMENTS
5	11/27/2017	TSA 100% SUBMITTAL (REV 2)
6	03/20/2019	ISSUED FOR BID & PERMIT
7	04/23/2019	ADDENDUM 3



1 SECTION - TC1, SF1, AND ME1 SUBSYSTEMS
SCALE: 1/4"=1'-0"



2 SECTION - CL3, ML1 AND OS2 SUBSYSTEM
SCALE: 1/4"=1'-0"



3 SECTION - CL3, ML1 AND OS2 SUBSYSTEM
SCALE: 1/4"=1'-0"